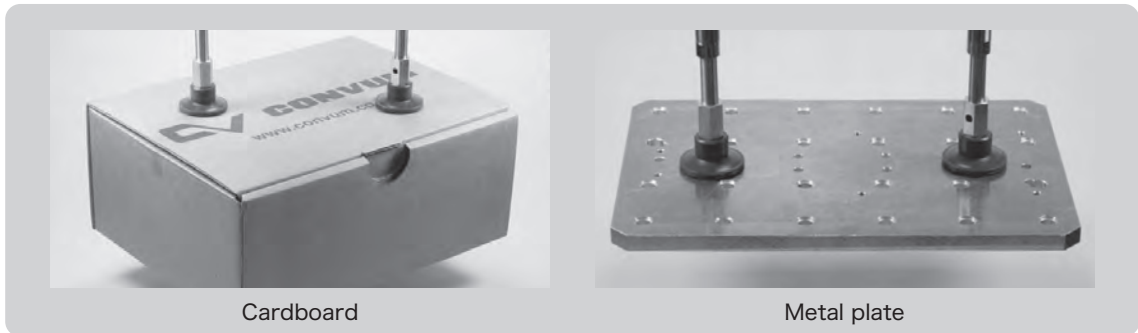


# 2 Bellows Cup



**2 bellows type with thick lip.**  
 For workpieces with the oblique surface, and when there is no space for attaching spring type fitting!



Cardboard

Metal plate

**Wide range of cup sizes.**


- φ10
- φ15
- φ20
- φ30
- φ40
- φ50
- φ75
- φ110
- φ150

**Various fittings for many kinds of applications.**











- PA
- PB**
- PC
- PCD
- PD
- PF
- PFO
- PH
- PJ
- CORE
- PK2
- PK2B
- PK2L
- PL
- PN
- PN-B
- PP
- PQ
- PR
- PU
- PW
- RA
- SM
- TN

## Suction Cup

PBG		Cup size (mm) φ10 ~ 150	P.203
-----	---	----------------------------	-------

## Fitting

Type	Applicable cup size (mm)	Stroke (mm)	Vacuum port	Piping · Connector	Page
Cup with fixed fitting PBTk	 φ 10 ~ 50	N/A	Top	Barb	P.207
	φ 75			Female screw	
Cup with fixed fitting PBYk	 φ 10 ~ 50	N/A	Side	Barb	P.207
	φ 75 ~ 150			Female screw	
Cup with compact spring fitting PSS	 φ 10,15	3,5	Top	Male screw	P.213
Cup with spring fitting NAPBTS	 φ 10, 15	3, 10, 15	Top	Female screw Push-in Barb	P.215
	φ 20 ~ 50	6, 15, 30			
	φ 75	10, 30, 50		Female screw	
	φ 110 ~ 150	20, 50			
Cup with spring fitting NAPBYS	 φ 10, 15	3, 10, 15	Side	Female screw Push-in Barb	P.215
	φ 20 ~ 50	6, 15, 30			
	φ 75	10, 30, 50		Female screw	
	φ 110 ~ 150	20, 50			
Cup with non-rotation spring fitting NAPBTH	 φ 10, 15	3, 10, 15	Top	Female screw Push-in Barb	P.221
	φ 20 ~ 50	6, 15, 30			
Cup with non-rotation spring fitting NAPBYH	 φ 10, 15	3, 10, 15	Side	Female screw Push-in Barb	P.221
	φ 20 ~ 50	6, 15, 30			
Setting screw	 φ 10 ~ 50	—	—	—	P.503

### How to Order



PBG — 10A — N

① Cup Size (mm)

Symbol	Cup size
10A	φ 10
15A	φ 15
20	φ 20
30	φ 30
40	φ 40
50	φ 50
75	φ 75
110	φ 110
150	φ 150

② Cup Rubber Material

Symbol	Material
N	NBR(Nitrile rubber)
S	Silicone rubber
U	Urethane rubber
F	Fluorine rubber
NE	Conductive NBR (Nitrile rubber)
SE	Conductive silicone rubber

※ Please consult with us for other material.

02  
Suction Cup

- PA
- PB**
- PC
- PCD
- PD
- PF
- PFO

### Cup Rubber Material Standard Specifications

Symbol	Material	Hardness (A/s)	Ambient temperature (°C)	Color	Volume resistivity <sup>Note1,2</sup>
N	NBR(Nitrile rubber)	55	-26 ~ 120	Black	-
S	Silicone rubber	55	-60 ~ 250	Translucent white	-
U	Urethane rubber	55	-20 ~ 75	Blue	-
F	Fluorine rubber	70	-10 ~ 230	Black with white dot	-
NE	Conductive NBR (Nitrile rubber)	70	-26 ~ 120	Black with blue dot	10 <sup>2</sup> ~ 10 <sup>3</sup> Ω · cm
SE	Conductive silicone rubber	55	-60 ~ 250	Black with red dot	10 <sup>2</sup> ~ 10 <sup>4</sup> Ω · cm

Note1) Volume resistivity shows conductivity, resistance value is per cm<sup>3</sup>.  
 Note2) It is the measured value of in our designated test piece.

### Applicable Rubber Material Table

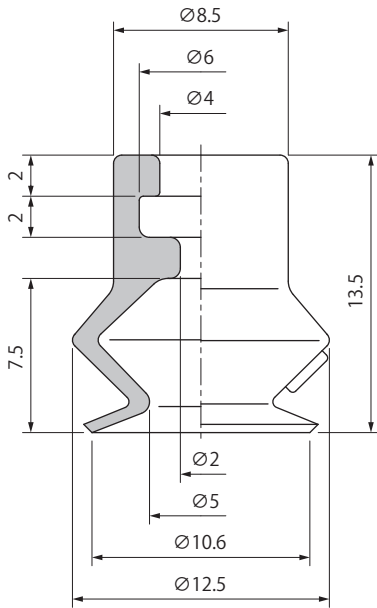
Material	Color	Symbol	Round type									
			10A	15A	20	30	40	50	75	110	150	
NBR(Nitrile rubber)	Black	N	●	●	●	●	●	●	●	●	●	●
Silicone rubber	Translucent white	S	●	●	●	●	●	●	●	●	●	●
Urethane rubber	Blue	U	●	●	●	●	●	●	○	○	○	
Fluorine rubber	Black with white dot	F	●	●	●	●	●	●	○	○	○	
Conductive NBR (Nitrile rubber)	Black with blue dot	NE	●	●	●	●	●	●	×	×	×	
Conductive silicone rubber	Black with red dot	SE	●	●	●	●	●	●	×	×	×	

● : In stock   ○ : Made to order   × : None  
 ※ Please consult with us for other material.

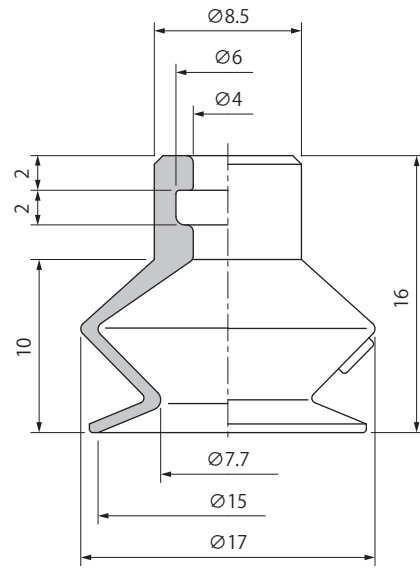
Dimensions

(mm)

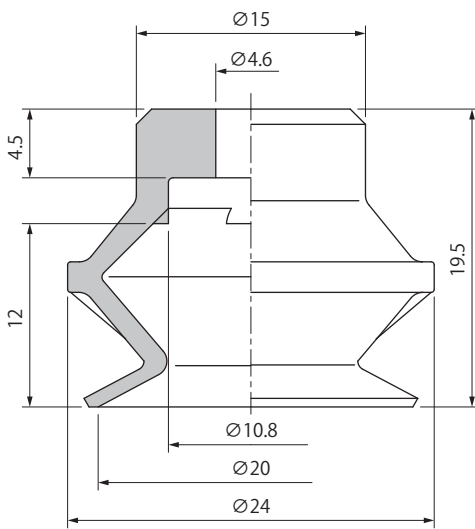
PBG-10A



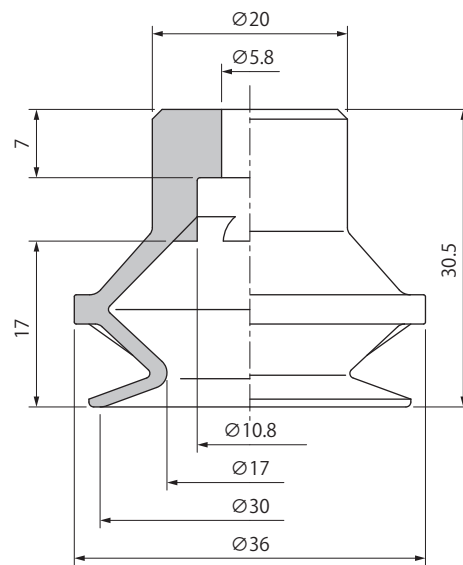
PBG-15A



PBG-20



PBG-30



Weight

(g)

Model \ Material	N	S	U	F	NE	SE	Applicable setting screw (Screw specifications)
PBG-10A	0.7	0.7	0.7	1.0	0.7	0.7	TN-PS-10-M5 (Male M5X0.8) TN-PS-10-M5F (Female M5X0.8)
PBG-15A	0.9	0.8	0.9	1.3	0.9	0.9	
PBG-20	2.6	2.6	2.8	4.2	2.8	2.6	TN-PF-20-M5 (Male M5X0.8)
PBG-30	8.7	8.7	9.2	14.0	9.2	8.7	TN-PF-25-M6 (Male M6X1.0)

※Please refer to P.503 for setting screw detailed specifications.

Symbol	Material
N	NBR(Nitrile rubber)
S	Silicone rubber
U	Urethane rubber
F	Fluorine rubber
NE	Conductive NBR (Nitrile rubber)
SE	Conductive silicone rubber

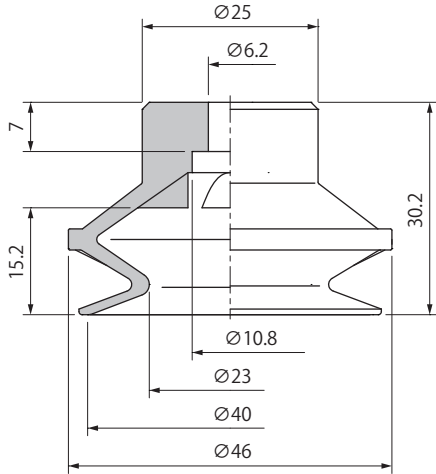
# PBG 2 Bellows Cup

Suction Cup 2 Bellows Cup

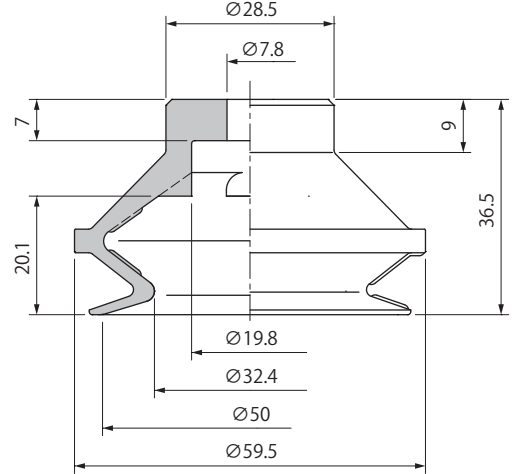
## Dimensions

(mm)

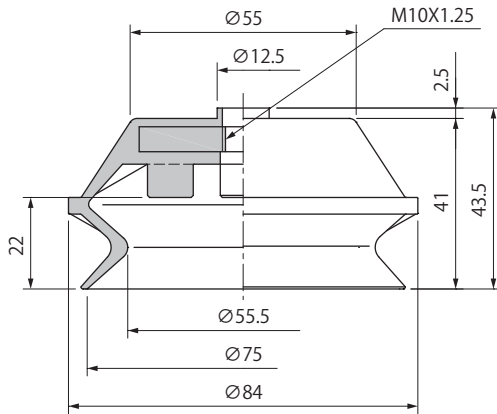
**PBG-40**



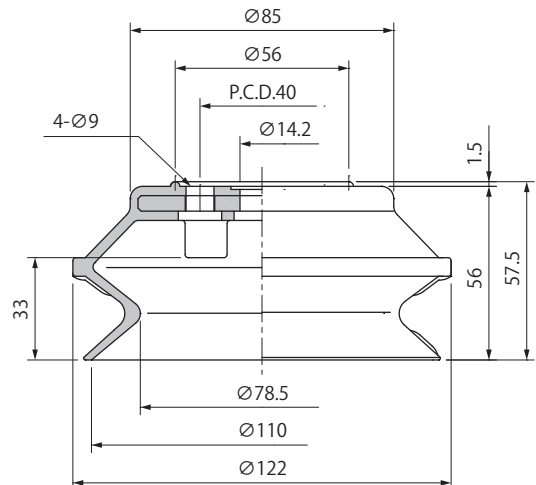
**PBG-50**



**PBG-75**



**PBG-110**



## Weight

(g)

Model \ Material	N	S	U	F	NE	SE	Applicable setting screw (Screw specifications)
<b>PBG-40</b>	14.0	14.0	14.7	22.4	14.7	14.0	TN-PF-25-M6 (Male M6X1.0)
<b>PBG-50</b>	25.0	25.0	26.3	40.0	26.3	25.0	TN-PF-50-M6 (Male M6X1.0) TN-PF-50-M8 (Male M8X1.25)
<b>PBG-75</b>	85.0	85.0	87.8	118.0	87.8	85.0	-
<b>PBG-110</b>	273.0	273.0	279.2	346.8	279.2	273.0	-

※Please refer to P.503 for setting screw detailed specifications.

Symbol	Material
<b>N</b>	NBR(Nitrile rubber)
<b>S</b>	Silicone rubber
<b>U</b>	Urethane rubber
<b>F</b>	Fluorine rubber
<b>NE</b>	Conductive NBR (Nitrile rubber)
<b>SE</b>	Conductive silicone rubber

02 Suction Cup

PA

PB

PC

PCD

PD

PF

PFO

PH

PJ

CORE

PK2

PK2B

PK2L

PL

PN

PN-B

PP

PQ

PR

PU

PW

RA

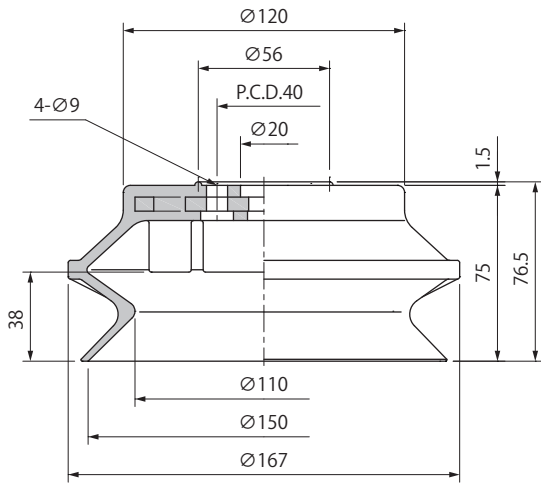
SM

TN

### Dimensions

(mm)

**PBG-150**



**02**

Suction Cup

PA

**PB**

PC

PCD

PD

PF

PFO

PH

PJ

CORE

PK2

PK2B

PK2L

PL

PN

PN-B

PP

PQ

PR

PU

PW

RA

SM

TN

### Weight

(g)

Model \ Material	N	S	U	F	NE	SE
<b>PBG-150</b>	797.0	797.0	818.7	1057.4	818.7	797.0

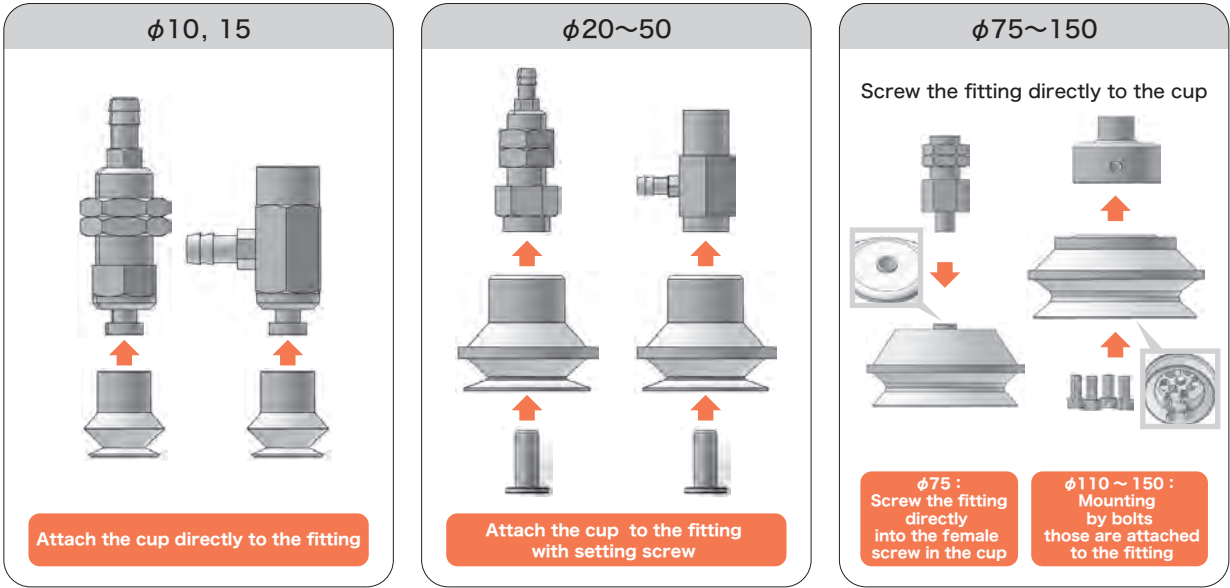
Symbol	Material
<b>N</b>	NBR(Nitrile rubber)
<b>S</b>	Silicone rubber
<b>U</b>	Urethane rubber
<b>F</b>	Fluorine rubber
<b>NE</b>	Conductive NBR (Nitrile rubber)
<b>SE</b>	Conductive silicone rubber

## PBTK·YK Cup with Fixed Fitting

Suction Cup 2 Bellows Cup



Consisting of fitting, setting screw, suction cup.



### How to Order

PB **T** K - **10A** - **N**

#### ① Vacuum Port

T	Top <small>Note1</small>
Y	Side

Note1) φ 10 ~ φ 75 only.

#### ① Cup Size (mm)

Symbol	Cup size
10A	φ 10
15A	φ 15
20	φ 20
30	φ 30
40	φ 40
50	φ 50
75	φ 75
110	φ 110 <small>Note1</small>
150	φ 150 <small>Note1</small>

Note1) Side port only.

#### ② Cup Rubber Material

Symbol	Material
N	NBR(Nitrile rubber)
S	Silicone rubber
U	Urethane rubber
F	Fluorine rubber
NE	Conductive NBR (Nitrile rubber)
SE	Conductive silicone rubber

※ Please consult with us for other material.

02 Suction Cup

PA

PB

PC

PCD

PD

PF

PFO

PH

PJ

CORE

PK2

PK2B

PK2L

PL

PN

PN-B

PP

PQ

PR

PU

PW

RA

SM

TN

## Combination Table

## Top Port

Model number	Cup	Setting screw	Fitting	Piping specifications	
PBTK-10A- □	PBG-10A- □	Attach the cup directly to the fitting	PFTK-10A-K	Barb	φ6X4
PBTK-15A- □	PBG-15A- □				
PBTK-20- □	PBG-20- □	TN-PF-20-M5	PFTK-15-K		
PBTK-30- □	PBG-30- □	TN-PF-25-M6	PFTK-25-K		
PBTK-40- □	PBG-40- □				
PBTK-50- □	PBG-50- □	TN-PF-50-M8	PFTK-50-K		
PBTK-75- □	PBG-75- □	Screw the fitting directly into the female screw in the cup	PFTK-60-K	Rc1/8 (Female)	

※□ in the table indicates the cup material.

## Side Port

Model number	Cup	Setting screw	Fitting	Piping specifications	
PBYK-10A- □	PBG-10A- □	Attach the cup directly to the fitting	PFYK-5A-K	Barb	φ6X4
PBYK-15A- □	PBG-15A- □				
PBYK-20- □	PBG-20- □	TN-PF-20-M5	PFYK-15-K		
PBYK-30- □	PBG-30- □	TN-PF-25-M6	PFYK-25-K		
PBYK-40- □	PBG-40- □				
PBYK-50- □	PBG-50- □	TN-PF-50-M8	PFYK-50-K		
PBYK-75- □	PBG-75- □	Screw the fitting directly into the female screw in the cup	PFYK-60-K	Rc1/8 (Female)	
PBYK-110- □	PBG-110- □	Mounting by bolts (4 pieces) those are attached to the fitting	PFYK-120-K		
PBYK-150- □	PBG-150- □				

※□ in the table indicates the cup material.

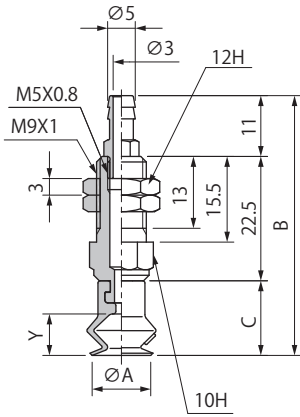


# PBTK·YK Cup with Fixed Fitting

## Dimensions

(mm)

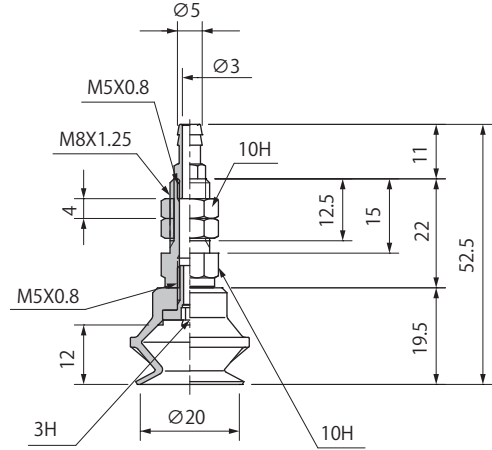
**Top Port PBTK-10A/15A**



Model number	A	B	C	Y	Weight (g)
PBTK-10A-□	10	47	13.5	7.5	15
PBTK-15A-□	15	49.5	16	10	

※□ in the table indicates the cup material.  
 ※ The weight value is when NBR (Nitrile rubber) is selected.

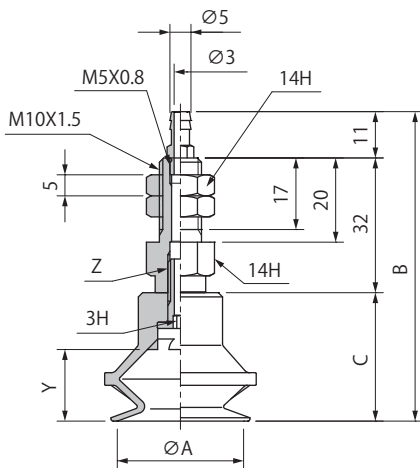
**Top Port PBTK-20**



Model number	Weight (g)
PBTK-20-□	21

※□ in the table indicates the cup material.  
 ※ The weight value is when NBR (Nitrile rubber) is selected.

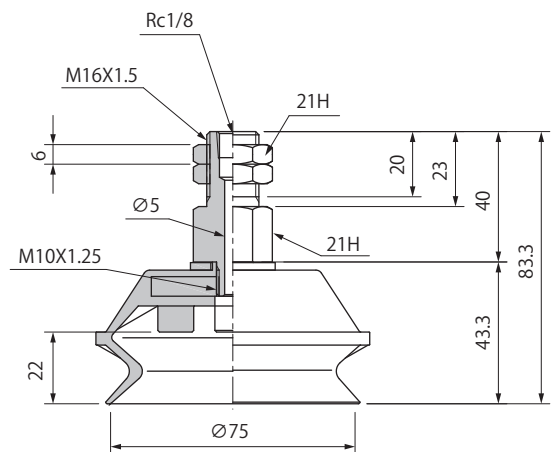
**Top Port PBTK-30/40/50**



Model number	A	B	C	Y	Z	Weight (g)
PBTK-30-□	30	73.5	30.5	17	M6X1.0	45
PBTK-40-□	40	73.2	30.2	15.2		48
PBTK-50-□	50	79.5	36.5	20.1	M8X1.25	62

※□ in the table indicates the cup material.  
 ※ The weight value is when NBR (Nitrile rubber) is selected.

**Top Port PBTK-75**



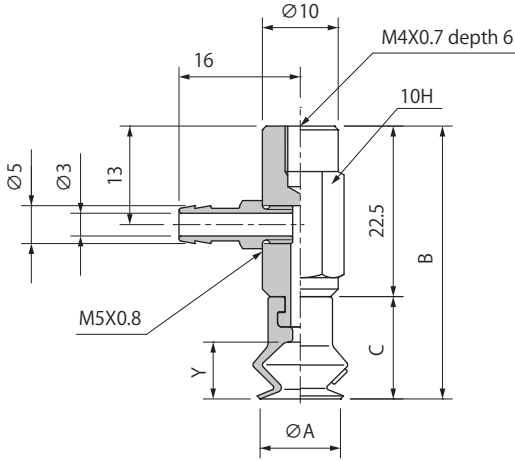
Model number	Weight (g)
PBTK-75-□	186

※□ in the table indicates the cup material.  
 ※ The weight value is when NBR (Nitrile rubber) is selected.

Dimensions

(mm)

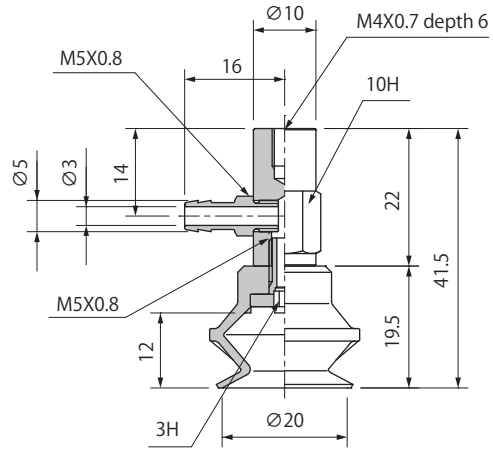
Side Port PBK-10A/15A



Model number	A	B	C	Y	Weight (g)
PBK-10A- □	10	36	13.5	7.5	16
PBK-15A- □	15	38.5	16	10	

※ □ in the table indicates the cup material.  
 ※ The weight value is when NBR (Nitrile rubber) selected.

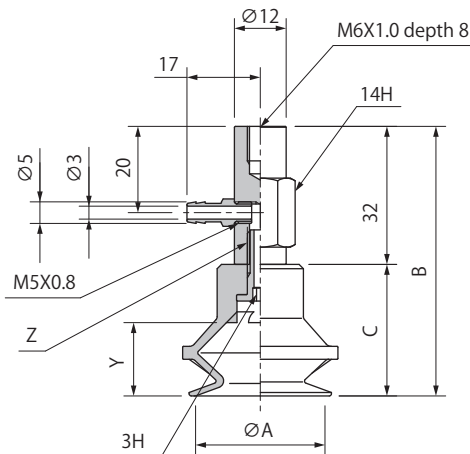
Side Port PBK-20



Model number	Weight (g)
PBK-20- □	21

※ □ in the table indicates the cup material.  
 ※ The weight value is when NBR (Nitrile rubber) selected.

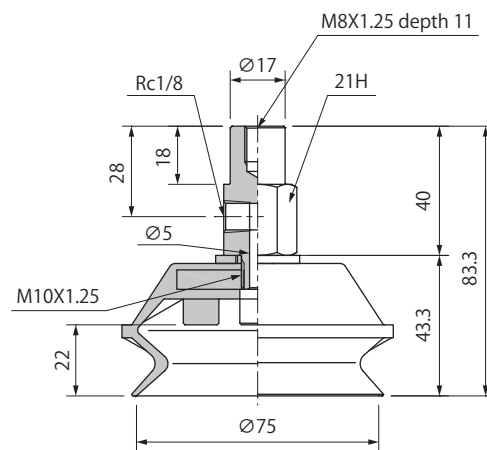
Side Port PBK-30/40/50



Model number	A	B	C	Y	Z	Weight (g)
PBK-30- □	30	62.5	30.5	17	M6X1.0	45
PBK-40- □	40	62.2	30.2	15.2		58
PBK-50- □	50	68.5	36.5	20.1	M8X1.25	67

※ □ in the table indicates the cup material.  
 ※ The weight value is when NBR (Nitrile rubber) selected.

Side Port PBK-75



Model number	Weight (g)
PBK-75- □	176

※ □ in the table indicates the cup material.  
 ※ The weight value is when NBR (Nitrile rubber) selected.

02  
Suction Cup

PA

PB

PC

PCD

PD

PF

PFO

PH

PJ

CORE

PK2

PK2B

PK2L

PL

PN

PN-B

PP

PQ

PR

PU

PW

RA

SM

TN

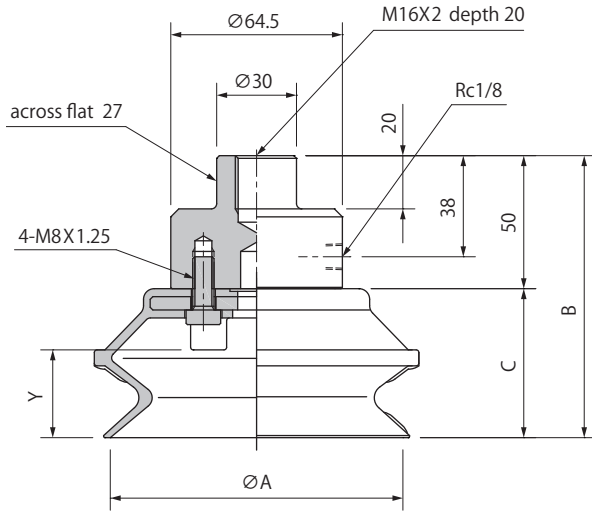
# PBTK·YK Cup with Fixed Fitting

Suction Cup 2 Bellows Cup

## Dimensions

(mm)

### Side Port PBTK-110/150



Model number	A	B	C	Y	Weight (g)
PBYK-110-□	110	106	56	33	670
PBYK-150-□	150	125	75	38	1180

※□ in the table indicates the cup material.

※ The weight value is when NBR (Nitrile rubber) selected.

02

Suction Cup

PA

PB

PC

PCD

PD

PF

PFO

PH

PJ

CORE

PK2

PK2B

PK2L

PL

PN

PN-B

PP

PQ

PR

PU

PW

RA

SM

TN

**02**

Suction Cup

PA

**PB**

PC

PCD

PD

PF

PFO

PH

PJ

CORE

PK2

PK2B

PK2L

PL

PN

PN-B

PP

PQ

PR

PU

PW

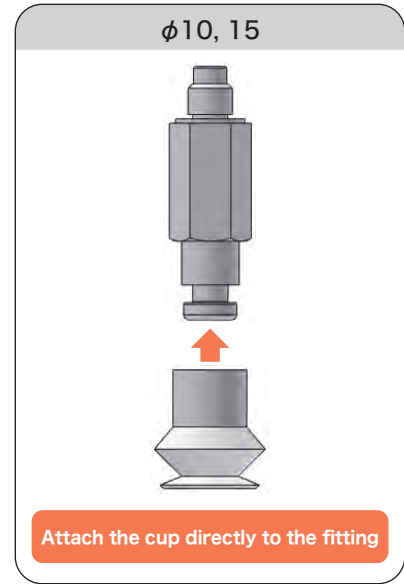
RA

SM

TN

# PSS Cup with Compact Spring Fitting

Suction Cup  
2 Bellows Cup



Simple construction of the cup and the fitting.

## How to Order

PSS — L3 — PBG — 10A — N

① Stroke (mm)

Symbol	Length
L3	3
L5	5

② Cup Size (mm)

Symbol	Cup size
10A	$\phi 10$
15A	$\phi 15$

③ Cup Rubber Material

Symbol	Material
N	NBR(Nitrile rubber)
S	Silicone rubber
U	Urethane rubber
F	Fluorine rubber
NE	Conductive NBR (Nitrile rubber)
SE	Conductive silicone rubber

※ Please consult with us for other material.

## Combination Table

Model number	Cup	Fitting	Piping specifications
PSS-L3-PBG-10A- □	PBG-10A- □	PSS-L3	M5X0.8 (Male)
PSS-L3-PBG-15A- □	PBG-15A- □		
PSS-L5-PBG-10A- □	PBG-10A- □	PSS-L5	
PSS-L5-PBG-15A- □	PBG-15A- □		

※□ in the table indicates the cup material.

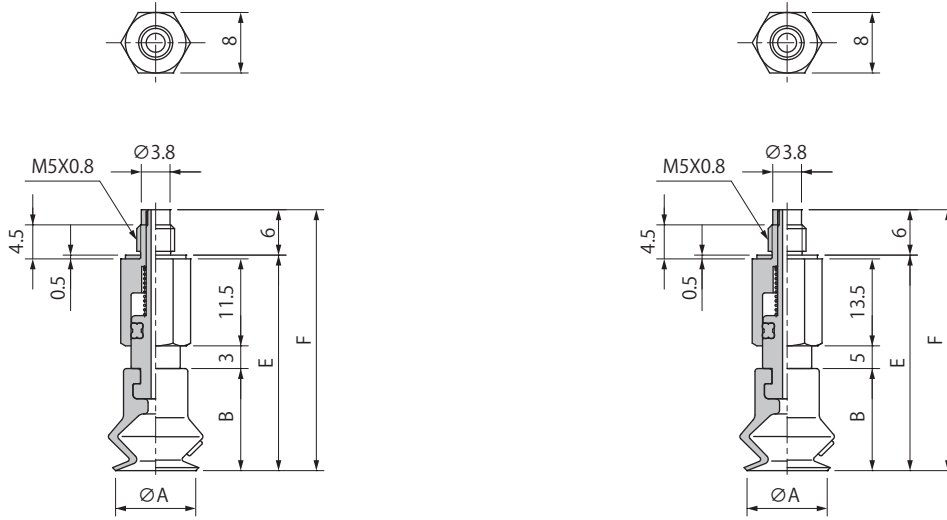
## Spring Specifications

Cup size	Unit	$\phi 10, \phi 15$	
Stroke	mm	3	5
Spring load at 0 stroke	N	1.5	1.62
Spring load at full stroke	N	2.3	3.2
Tightening torque	N · m	0.58~0.68	

※Due to structural reason, 「lift-up」 may occur in case vacuum pressure is more than -65kPa.  
The weight of non 「lift-up」 in horizontal lifting is about over 200g.  
Screw must be tightened in recommended tightening torque, otherwise malfunction would occur.

Dimensions

(mm)



Model number	A	B	E	F	Weight (g)
PSS-L3-PBG-10A- □	10.6	13.5	28.5	34.5	10
PSS-L3-PBG-15A- □	15	16	31	37	

※□ in the table indicates the cup material.  
 ※ The weight value is when NBR (Nitrile rubber) selected.

Model number	A	B	E	F	Weight (g)
PSS-L5-PBG-10A- □	10.6	13.5	32.5	38.5	11
PSS-L5-PBG-15A- □	15	16	35	41	

※□ in the table indicates the cup material.  
 ※ The weight value is when NBR (Nitrile rubber) selected.

02

Suction Cup

PA

PB

PC

PCD

PD

PF

PFO

PH

PJ

CORE

PK2

PK2B

PK2L

PL

PN

PN-B

PP

PQ

PR

PU

PW

RA

SM

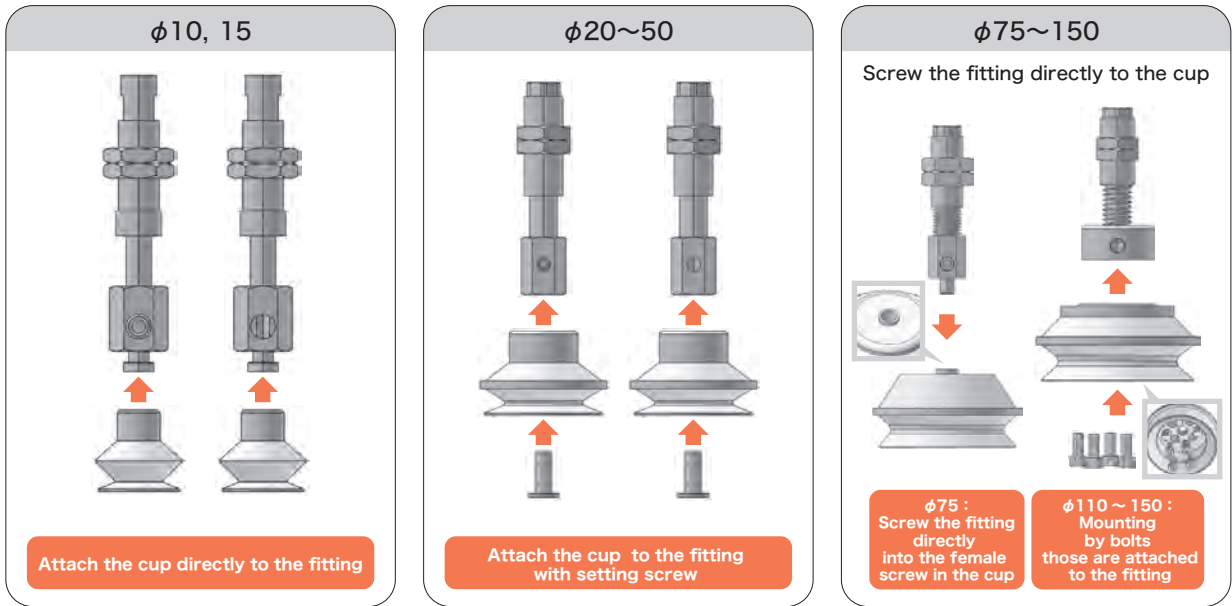
TN

# NAPBTS·YS Cup with Spring Fitting

Suction Cup  
2 Bellows Cup



Consisting of fitting, setting screw, suction cup.



## How to Order

**NAPB** **T** **S** - **10A-3** - **N** - **T**

### ① Vacuum Port

T	Top
Y	Side

### ② Cup Size - Stroke (mm)

Symbol	Cup size Stroke	Symbol	Cup size Stroke	Symbol	Cup size Stroke
10A-3	φ 10-3	30-6	φ 30-6	75-10	φ 75-10
10A-10	φ 10-10	30-15	φ 30-15	75-30	φ 75-30
10A-15	φ 10-15	30-30	φ 30-30	75-50	φ 75-50
15A-3	φ 15-3	40-6	φ 40-6	110-20	φ 110-20
15A-10	φ 15-10	40-15	φ 40-15	110-50	φ 110-50
15A-15	φ 15-15	40-30	φ 40-30	150-20	φ 150-20
20-6	φ 20-6	50-6	φ 50-6	150-50	φ 150-50
20-15	φ 20-15	50-15	φ 50-15		
20-30	φ 20-30	50-30	φ 50-30		

### ③ Cup Rubber Material

Symbol	Material
N	NBR(Nitrile rubber)
S	Silicone rubber
U	Urethane rubber
F	Fluorine rubber
NE	Conductive NBR (Nitrile rubber)
SE	Conductive silicone rubber

※ Please consult with us for other material.

### ④ Connector

Blank	N/A
T	Barb
O	Push-in

※ φ 75 or more can not be selected "T" and "O"

## Spring Specifications

Cup size	Unit	φ10, 15			φ20~φ50			φ75			φ110, φ150	
Stroke	mm	3	10	15	6	15	30	10	30	50	20	50
Spring load at 0 stroke	N	0.61		0.64	2.45		2.9	8.82	6.76	8.33	15.6	14.7
Spring load at full stroke	N	0.77	1.17		3.43	4.9	5.88	11.8	15.6	19.6	29.4	

## Combination Table

Model number	Cup	Setting screw	Fitting	Piping specifications		
				Without connector·Blank	Barb connector·T	Push-in connector·O
NAPBOS-10A-3-□ (-T/O)	PBG-10A-□	Attach the cup directly to the fitting	NAPFOS-10A-3-K (-T/O)	M5X0.8 (Female)	φ 6 X 4	
NAPBOS-10A-10-□ (-T/O)			NAPFOS-10A-10-K (-T/O)			
NAPBOS-10A-15-□ (-T/O)			NAPFOS-10A-15-K (-T/O)			
NAPBOS-15A-3-□ (-T/O)	PBG-15A-□		NAPFOS-10A-3-K (-T/O)			
NAPBOS-15A-10-□ (-T/O)			NAPFOS-10A-10-K (-T/O)			
NAPBOS-15A-15-□ (-T/O)			NAPFOS-10A-15-K (-T/O)			
NAPBOS-20-6-□ (-T/O)	PBG-20-□	TN-PF-20-M5	NAPBOS-20-6-K (-T/O)			
NAPBOS-20-15-□ (-T/O)		NAPBOS-20-15-K (-T/O)				
NAPBOS-20-30-□ (-T/O)		NAPBOS-20-30-K (-T/O)				
NAPBOS-30-6-□ (-T/O)	PBG-30-□	TN-PF-25-M6	NAPFOS-20B-6-K (-T/O)			
NAPBOS-30-15-□ (-T/O)			NAPFOS-20B-15-K (-T/O)			
NAPBOS-30-30-□ (-T/O)			NAPFOS-20B-30-K (-T/O)			
NAPBOS-40-6-□ (-T/O)	PBG-40-□		NAPFOS-20B-6-K (-T/O)			
NAPBOS-40-15-□ (-T/O)			NAPFOS-20B-15-K (-T/O)			
NAPBOS-40-30-□ (-T/O)			NAPFOS-20B-30-K (-T/O)			
NAPBOS-50-6-□ (-T/O)	PBG-50-□	TN-PF-50-M6	NAPFOS-20B-6-K (-T/O)			
NAPBOS-50-15-□ (-T/O)		NAPFOS-20B-15-K (-T/O)				
NAPBOS-50-30-□ (-T/O)		NAPFOS-20B-30-K (-T/O)				
NAPBOS-75-10-□	PBG-75-□	Screw the fitting directly into the female screw in the cup	NAPFOS-60-10-K	Rc1/8 (Female)	-	
NAPBOS-75-30-□			NAPFOS-60-30-K			
NAPBOS-75-50-□			NAPFOS-60-50-K			
NAPBOS-110-20-□	PBG-110-□	Mounting by bolts(4 pieces) those are attached to the fitting	NAPFOS-120-20-K	Rc1/4 (Female)	-	
NAPBOS-110-50-□			NAPFOS-120-50-K			
NAPBOS-150-20-□	PBG-150-□		NAPFOS-120-20-K			
NAPBOS-150-50-□			NAPFOS-120-50-K			

※□ in the table indicates the cup material.

※○ in the table indicates the vacuum port (T or Y).

02

Suction Cup

PA

PB

PC

PCD

PD

PF

PFO

PH

PJ

CORE

PK2

PK2B

PK2L

PL

PN

PN-B

PP

PQ

PR

PU

PW

RA

SM

TN

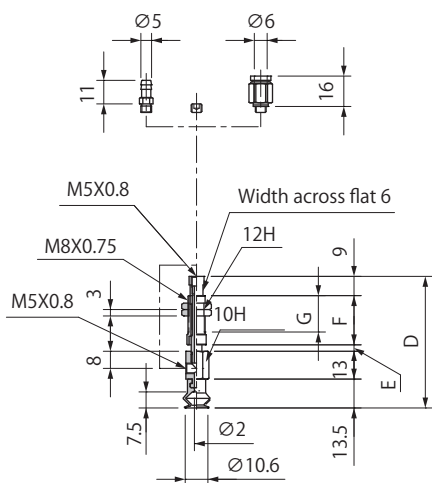


# NAPBTS·YS Cup with Spring Fitting

## Dimensions

(mm)

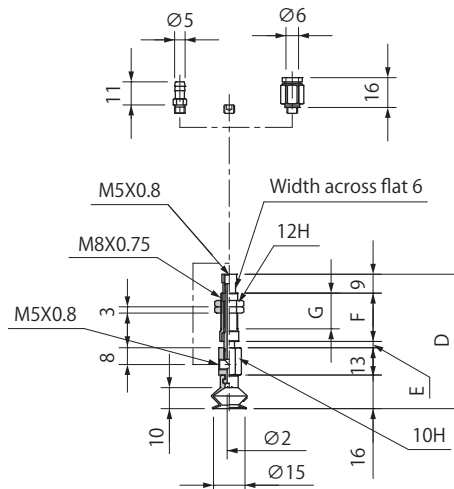
### NAPBT/YS-10A



Model number	D	E	F	G	Weight (g)
NAPBT/YS-10A-3-□ (-T/O)	61.5	3	23	17	18
NAPBT/YS-10A-10-□ (-T/O)	68.5	10			18.5
NAPBT/YS-10A-15-□ (-T/O)	81	15	30.5	24.5	21

※ □ in the table indicates the cup material.  
 ※ The weight value is when NBR (Nitrile rubber) / without connector selected.

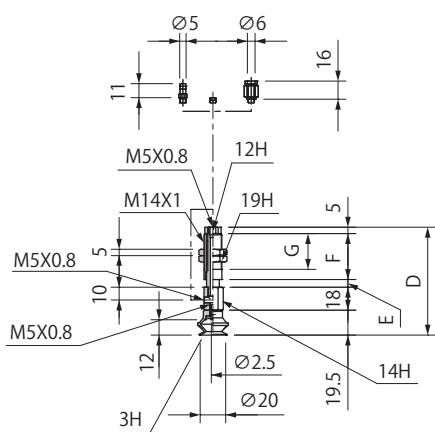
### NAPBT/YS-15A



Model number	D	E	F	G	Weight (g)
NAPBT/YS-15A-3-□ (-T/O)	64	3	23	17	18
NAPBT/YS-15A-10-□ (-T/O)	71	10			18.5
NAPBT/YS-15A-15-□ (-T/O)	83.5	15	30.5	24.5	21

※ □ in the table indicates the cup material.  
 ※ The weight value is when NBR (Nitrile rubber) / without connector selected.

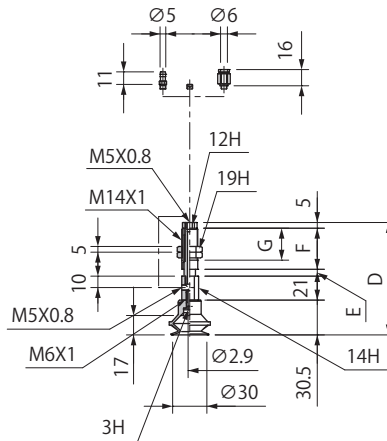
### NAPBT/YS-20



Model number	D	E	F	G	Weight (g)
NAPBT/YS-20-6-□ (-T/O)	84.5	6	36	28	67
NAPBT/YS-20-15-□ (-T/O)	93.5	15			72
NAPBT/YS-20-30-□ (-T/O)	130.5	30	58	50	97

※ □ in the table indicates the cup material.  
 ※ The weight value is when NBR (Nitrile rubber) / without connector selected.

### NAPBT/YS-30



Model number	D	E	F	G	Weight (g)
NAPBT/YS-30-6-□ (-T/O)	98.5	6	36	28	72
NAPBT/YS-30-15-□ (-T/O)	107.5	15			77
NAPBT/YS-30-30-□ (-T/O)	144.5	30	58	50	102

※ □ in the table indicates the cup material.  
 ※ The weight value is when NBR (Nitrile rubber) / without connector selected.

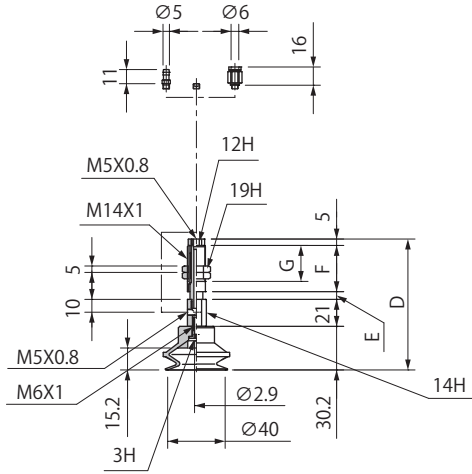
## Common Specifications

Connector Weight(g)	
Symbol	Tube O.D φ 6
T	1.5
O	4.0

Dimensions

(mm)

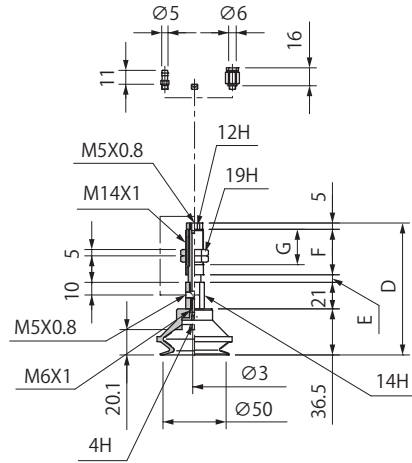
NAPBT/YS-40



Model number	D	E	F	G	Weight (g)
NAPBT/YS-40-6-□ (-T/O)	98.2	6	36	28	78
NAPBT/YS-40-15-□ (-T/O)	107.2	15			83
NAPBT/YS-40-30-□ (-T/O)	144.2	30	58	50	108

※□ in the table indicates the cup material.  
※ The weight value is when NBR (Nitrile rubber) / without connector selected.

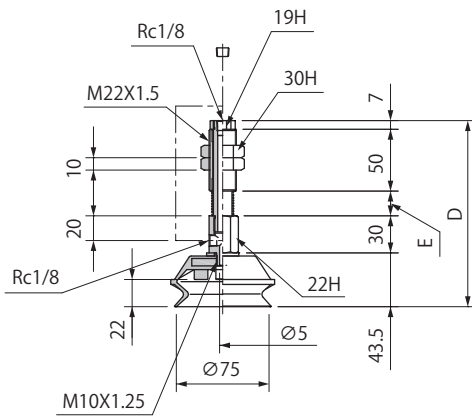
NAPBT/YS-50



Model number	D	E	F	G	Weight (g)
NAPBT/YS-50-6-□ (-T/O)	104.5	6	36	28	92
NAPBT/YS-50-15-□ (-T/O)	113.5	15			97
NAPBT/YS-50-30-□ (-T/O)	150.5	30	58	50	122

※□ in the table indicates the cup material.  
※ The weight value is when NBR (Nitrile rubber) / without connector selected.

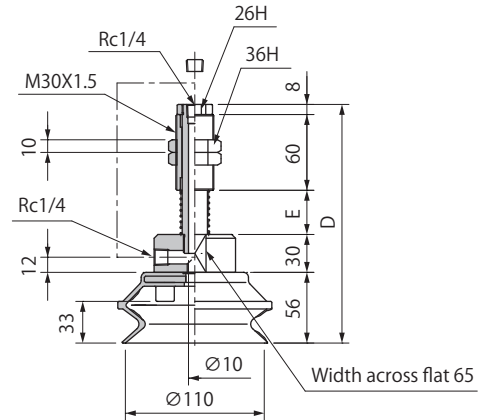
NAPBT/YS-75



Model number	D	E	Weight (g)
NAPBT/YS-75-10-□	150.5	20	339
NAPBT/YS-75-30-□	180.5	50	373
NAPBT/YS-75-50-□	205.5	75	400

※□ in the table indicates the cup material.  
※ The weight value is when NBR (Nitrile rubber) selected.

NAPBT/YS-110



Model number	D	E	Weight (g)
NAPBT/YS-110-20-□	189	35	1194
NAPBT/YS-110-50-□	229	75	1276

※□ in the table indicates the cup material.  
※ The weight value is when NBR (Nitrile rubber) selected.

Common Specifications

Connector Weight(g)	
Symbol	Tube O.D φ 6
T	1.5
O	4.0

# NAPBTS·YS Cup with Spring Fitting

Suction Cup  
2 Bellows Cup

02  
Suction Cup

PA

PB

PC

PCD

PD

PF

PFO

PH

PJ

CORE

PK2

PK2B

PK2L

PL

PN

PN-B

PP

PQ

PR

PU

PW

RA

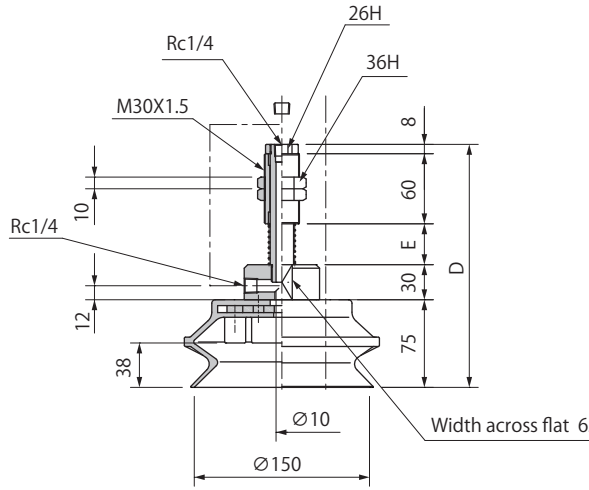
SM

TN

## Dimensions

(mm)

### NAPBT/YS-150



Model number	D	E	Weight (g)
NAPBT/YS-150-20-□	208	35	1704
NAPBT/YS-150-50-□	248	75	1786

※□ in the table indicates the cup material.

※ The weight value is when NBR (Nitrile rubber) selected.

02

Suction Cup

PA

**PB**

PC

PCD

PD

PF

PFO

PH

PJ

CORE

PK2

PK2B

PK2L

PL

PN

PN-B

PP

PQ

PR

PU

PW

RA

SM

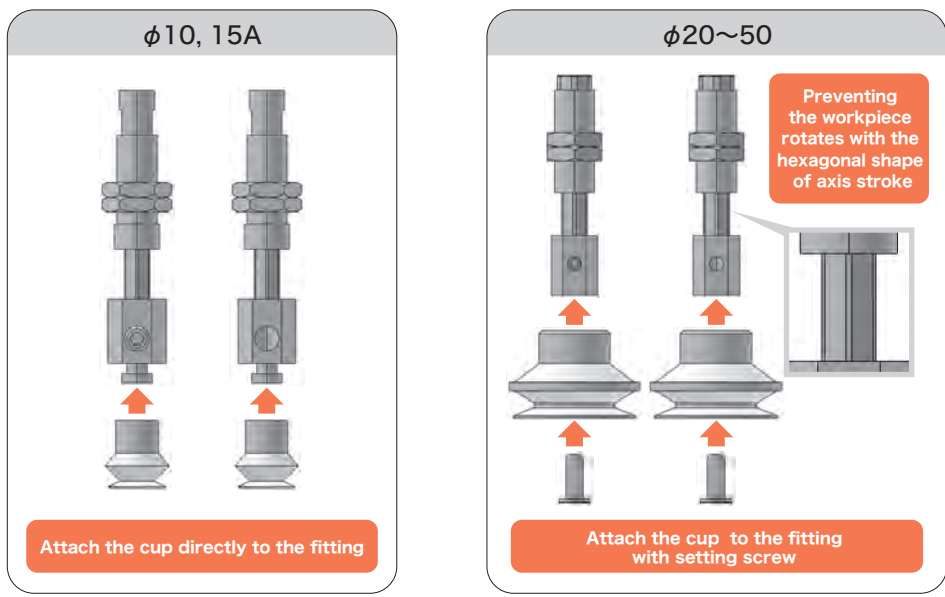
TN

## NAPBTH·YH Cup with Non-rotation Spring Fitting

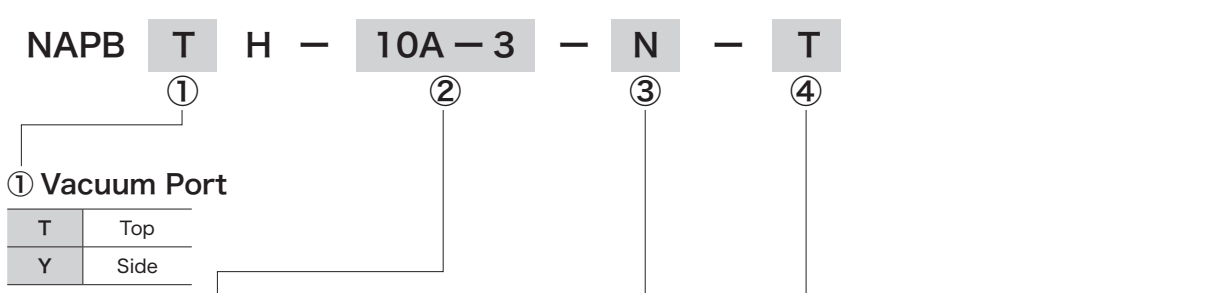
Suction Cup  
2 Bellows Cup



Consisting of fitting, setting screw, suction cup.



### How to Order



#### ② Cup Size - Stroke (mm)

Symbol	Cup size Stroke	Symbol	Cup size Stroke
10A-3	φ 10-3	30-6	φ 30-6
10A-10	φ 10-10	30-15	φ 30-15
10A-15	φ 10-15	30-30	φ 30-30
15A-3	φ 15-3	40-6	φ 40-6
15A-10	φ 15-10	40-15	φ 40-15
15A-15	φ 15-15	40-30	φ 40-30
20-6	φ 20-6	50-6	φ 50-6
20-15	φ 20-15	50-15	φ 50-15
20-30	φ 20-30	50-30	φ 50-30

#### ③ Cup Rubber Material

Symbol	Material
N	NBR(Nitrile rubber)
S	Silicone rubber
U	Urethane rubber
F	Fluorine rubber
NE	Conductive NBR (Nitrile rubber)
SE	Conductive silicone rubber

#### ④ Connector

Blank	N/A
T	Barb
O	Push-in

※ Please consult with us for other material.

## Spring Specifications

Cup size	Unit	φ10, 15			φ20~50		
Stroke	mm	3	10	15	6	15	30
Spring load at 0 stroke	N	0.61		0.64	2.45		2.9
Spring load at full stroke	N	0.77	1.17		3.43	4.9	5.88

## Combination Table

Model number	Cup	Setting screw	Fitting	Piping specifications		
				Without connector·Blank	Barb connector·T	Push-in connector·O
NAPB○H-10A-3-□ (-T/O)	PBG-10A-□	Attach the cup directly to the fitting	NAPF○H-5A-3-K (-T/O)	M5X0.8 (Female)	φ6 X 4	
NAPB○H-10A-10-□ (-T/O)			NAPF○H-5A-10-K (-T/O)			
NAPB○H-10A-15-□ (-T/O)			NAPF○H-5A-15-K (-T/O)			
NAPB○H-15A-3-□ (-T/O)	PBG-15A-□		NAPF○H-5A-3-K (-T/O)			
NAPB○H-15A-10-□ (-T/O)			NAPF○H-5A-10-K (-T/O)			
NAPB○H-15A-15-□ (-T/O)			NAPF○H-5A-15-K (-T/O)			
NAPB○H-20-6-□ (-T/O)	PBG-20-□	TN-PF-20-M5	NAPB○H-20-6-K (-T/O)			
NAPB○H-20-15-□ (-T/O)		NAPB○H-20-15-K (-T/O)				
NAPB○H-20-30-□ (-T/O)		NAPB○H-20-30-K (-T/O)				
NAPB○H-30-6-□ (-T/O)	PBG-30-□	TN-PF-25-M6	NAPF○H-20B-6-K (-T/O)			
NAPB○H-30-15-□ (-T/O)			NAPF○H-20B-15-K (-T/O)			
NAPB○H-30-30-□ (-T/O)			NAPF○H-20B-30-K (-T/O)			
NAPB○H-40-6-□ (-T/O)	PBG-40-□		NAPF○H-20B-6-K (-T/O)			
NAPB○H-40-15-□ (-T/O)			NAPF○H-20B-15-K (-T/O)			
NAPB○H-40-30-□ (-T/O)			NAPF○H-20B-30-K (-T/O)			
NAPB○H-50-6-□ (-T/O)	PBG-50-□	TN-PF-50-M6	NAPF○H-20B-6-K (-T/O)			
NAPB○H-50-15-□ (-T/O)		NAPF○H-20B-15-K (-T/O)				
NAPB○H-50-30-□ (-T/O)		NAPF○H-20B-30-K (-T/O)				

※□ in the table indicates the cup material.

※○ in the table indicates the vacuum port (T or Y).

02

Suction Cup

PA

PB

PC

PCD

PD

PF

PFO

PH

PJ

CORE

PK2

PK2B

PK2L

PL

PN

PN-B

PP

PQ

PR

PU

PW

RA

SM

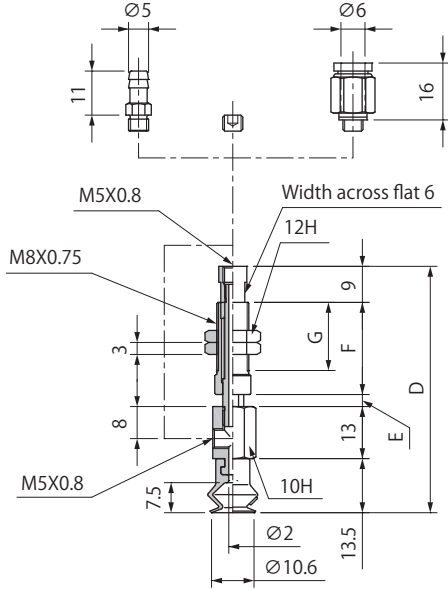
TN

# NAPBTH·YH Cup with Non-rotation Spring Fitting

## Dimensions

(mm)

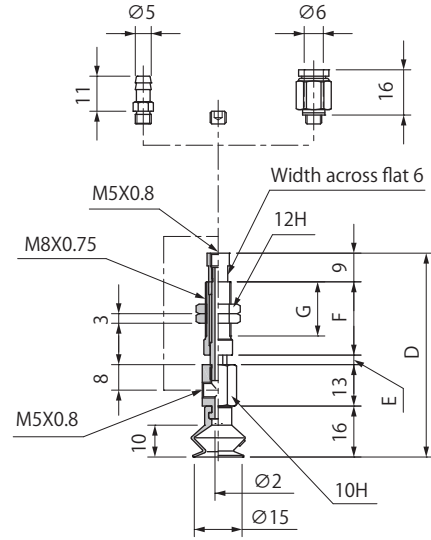
### NAPBT/YH-10A



Model number	D	E	F	G	Weight (g)
NAPBT/YH-10A-3-□ (-T/O)	61.5	3	23	17	18.5
NAPBT/YH-10A-10-□ (-T/O)	68.5	10			19
NAPBT/YH-10A-15-□ (-T/O)	81	15	30.5	24.5	22

※□ in the table indicates the cup material.  
 ※ The weight value is when NBR (Nitrile rubber) / without connector selected.

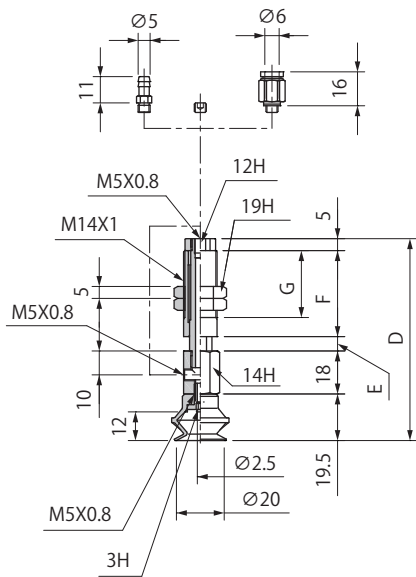
### NAPBT/YH-15A



Model number	D	E	F	G	Weight (g)
NAPBT/YH-15A-3-□ (-T/O)	64	3	23	17	18.5
NAPBT/YH-15A-10-□ (-T/O)	71	10			19
NAPBT/YH-15A-15-□ (-T/O)	83.5	15	30.5	24.5	22

※□ in the table indicates the cup material.  
 ※ The weight value is when NBR (Nitrile rubber) / without connector selected.

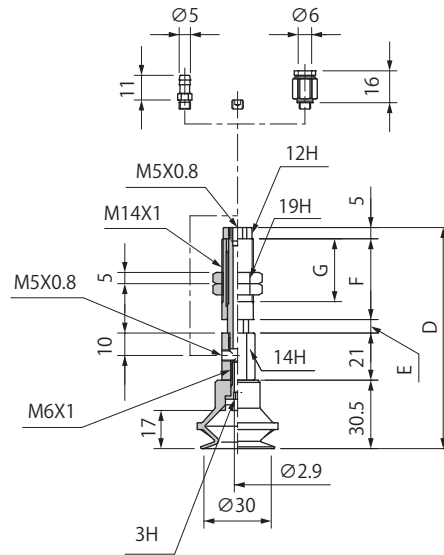
### NAPBT/YH-20



Model number	D	E	F	G	Weight (g)
NAPBT/YH-20-6-□ (-T/O)	84.5	6	36	28	63.5
NAPBT/YH-20-15-□ (-T/O)	93.5	15			68.5
NAPBT/YH-20-30-□ (-T/O)	130.5	30	58	50	92.5

※□ in the table indicates the cup material.  
 ※ The weight value is when NBR (Nitrile rubber) / without connector selected.

### NAPBT/YH-30



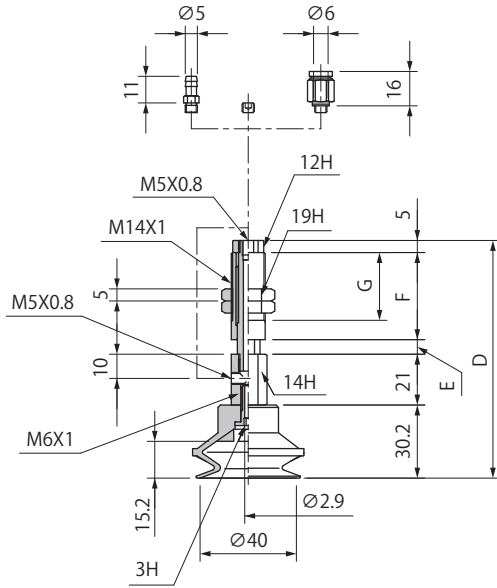
Model number	D	E	F	G	Weight (g)
NAPBT/YH-30-6-□ (-T/O)	98.5	6	36	28	70.5
NAPBT/YH-30-15-□ (-T/O)	107.5	15			75.5
NAPBT/YH-30-30-□ (-T/O)	144.5	30	58	50	99.5

※□ in the table indicates the cup material.  
 ※ The weight value is when NBR (Nitrile rubber) / without connector selected.

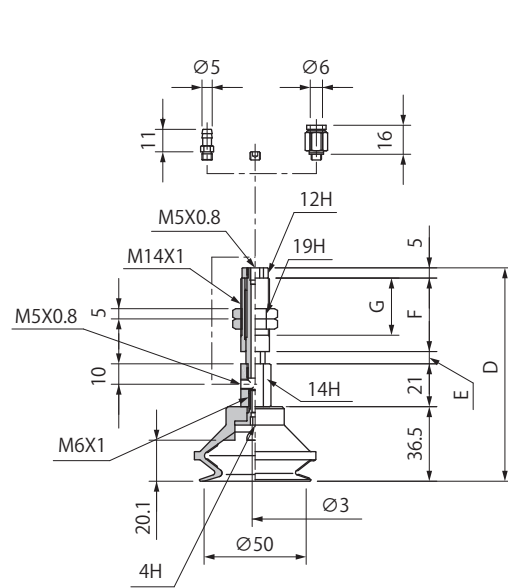
Dimensions

(mm)

NAPBT/YH-40



NAPBT/YH-50



Model number	D	E	F	G	Weight (g)
NAPBT/YH-40-6- □ (-T/O)	98.2	6	36	28	76.5
NAPBT/YH-40-15- □ (-T/O)	107.2	15			81.5
NAPBT/YH-40-30- □ (-T/O)	144.2	30	58	50	105.5

※□ in the table indicates the cup material.  
 ※ The weight value is when NBR (Nitrile rubber) / without connector selected.

Model number	D	E	F	G	Weight (g)
NAPBT/YH-50-6- □ (-T/O)	104.5	6	36	28	95
NAPBT/YH-50-15- □ (-T/O)	113.5	15			100
NAPBT/YH-50-30- □ (-T/O)	150.5	30	58	50	124

※□ in the table indicates the cup material.  
 ※ The weight value is when NBR (Nitrile rubber) / without connector selected.

Common Specifications

Connector Weight(g)	
Symbol	Tube O.D φ 6
T	1.5
O	4.0

02

Suction Cup

PA

PB

PC

PCD

PD

PF

PFO

PH

PJ

CORE

PK2

PK2B

PK2L

PL

PN

PN-B

PP

PQ

PR

PU

PW

RA

SM

TN